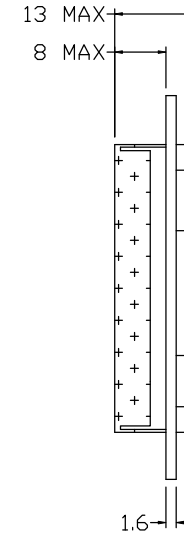
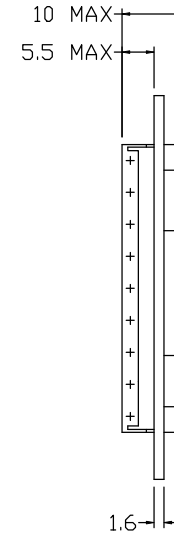
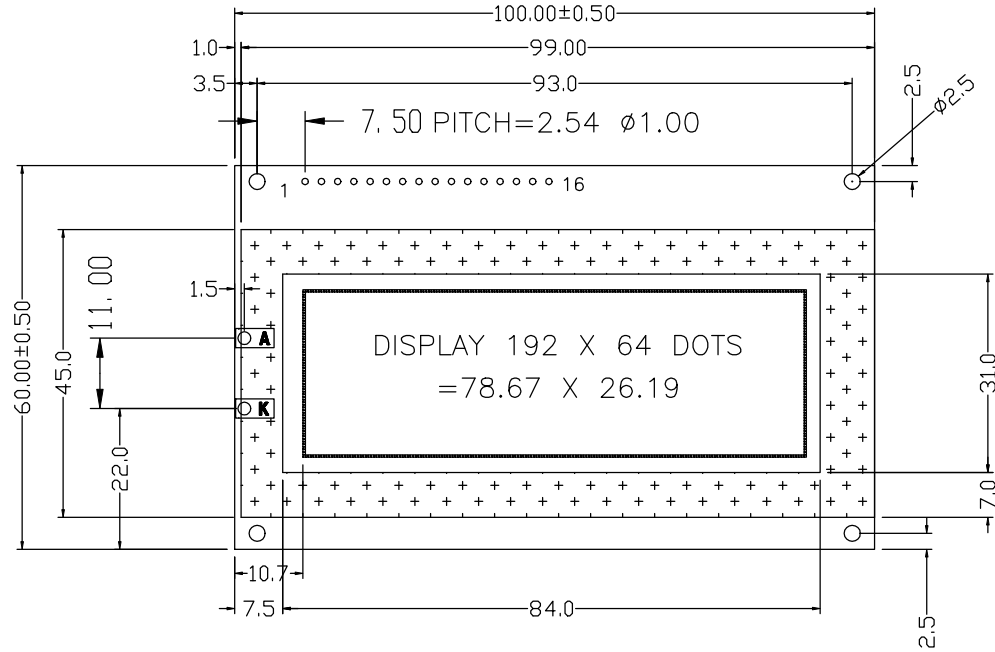
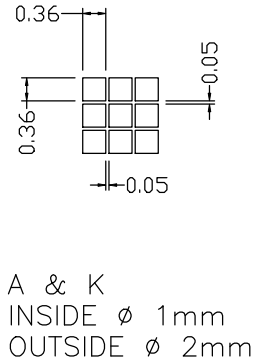
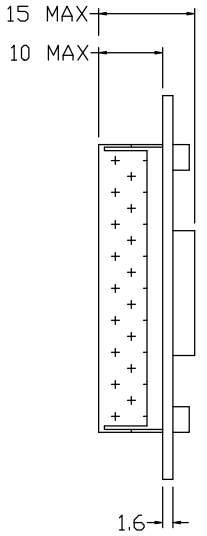


# MGL(S)-19264

192 X 64 DOTS



WITH LED03



WITH LED04

16 PIN CONNECTION	1	2	3	4	5	6	7	8	9	10	11	12	13	14	15	16
	/CSA	/CSB	VSS	VDD	V0	D/I	R/W	E	DB0	DB1	DB2	DB3	DB4	DB5	DB6	DB7

